



These instructions can be found in color and expandable at QA1.net

Technical Support Line: (952) 985-5675 Email: sales@QA1.net

INSTALLATION INSTRUCTIONS

QA1 P/N 7838-1068

Diagonal Link (for QA1 Universal 4-Link)

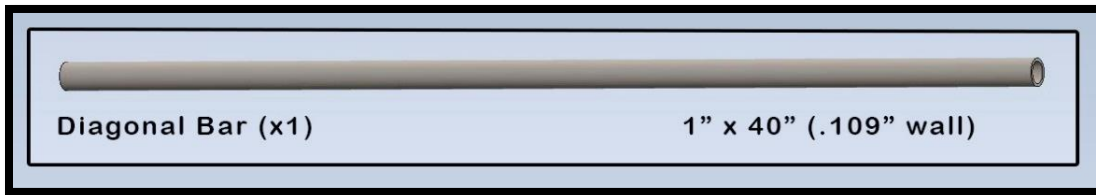
TOOLS AND SUPPLIES REQUIRED

- Floor Jack
- Jack Stands
- Ratchet & Socket Set
- Torque Wrench
- Mig Welder capable of 1/4" penetration

PRE-INSTALLATION NOTES-

This diagonal link was designed for the QA1 Universal 4 link but can be used on most 4-link suspensions.

INCLUDED PARTS -



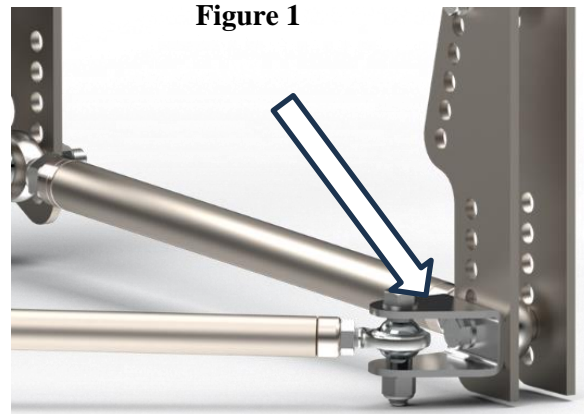
Diagonal Bar Mounts



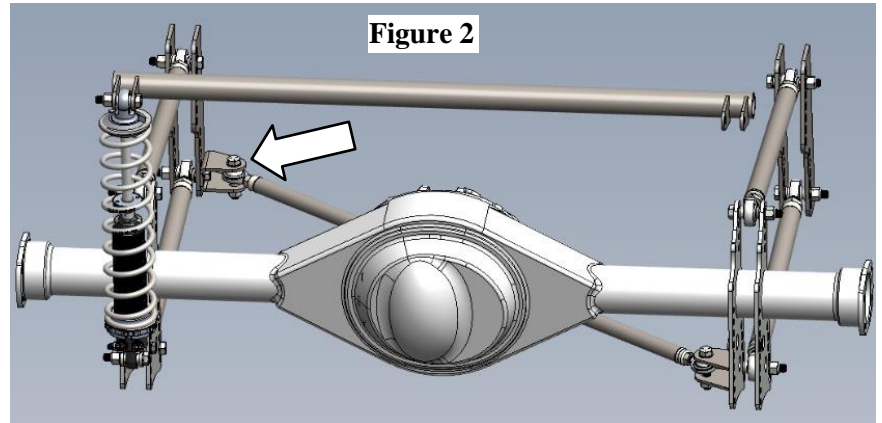
LINE	QTY/KIT	DESCRIPTION	2ND DESCRIPTION	WHERE USED ON VEHICLE	TORQUE VALUES (FT-LBS)
1	2	BOLT, HEX 1/2-13 X 2.5"	GRADE 8, YELLOW ZINC, PARTIAL THREAD	DIAGONAL LINK TO BRACKETS	106
2	4	WASHER, FLAT 1/2" AN960-816	.515" ID X .875" OD X .062", CLEAR ZINC		
3	2	NUT, NYLOCK 12-13	GRADE 8, YELLOW ZINC		

INSTALLATION-

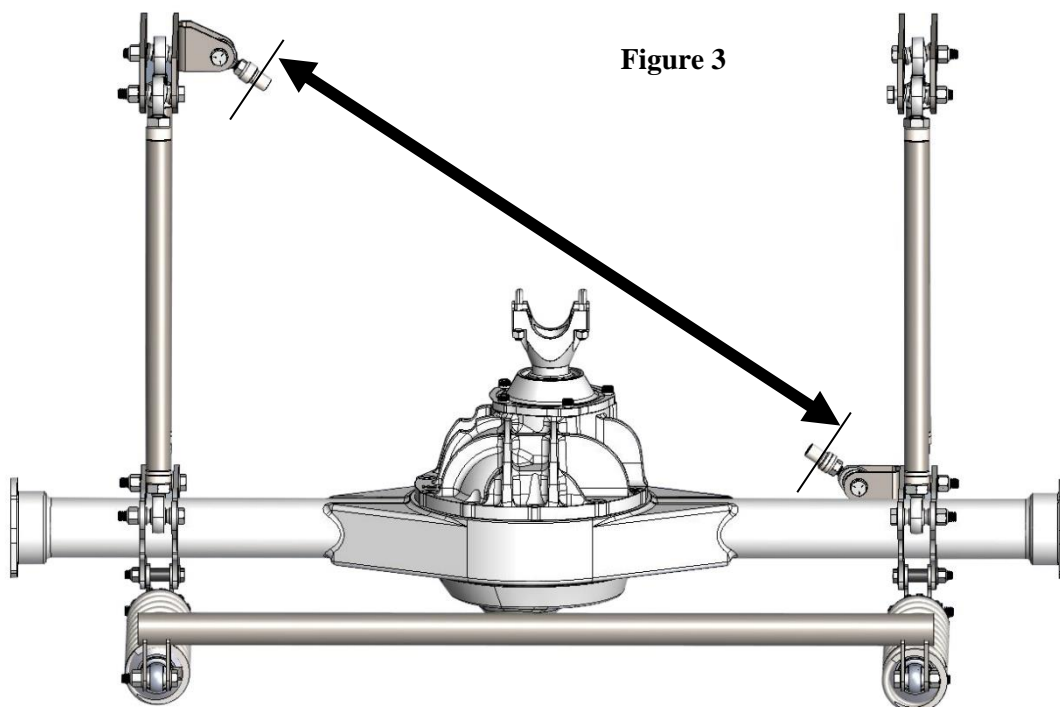
1. On a flat and true surface, set the vehicle on jack stands or a chassis table and ensure the chassis is completely level with the axle mocked up at ride height.
2. Install one clevis bar mount onto the passenger rear trailing arm mount. **(Figure 1)**
3. Install one clevis bar mount onto the driver side front trailing arm mount. **(Figure 2)**



4. Identify one right hand threaded tube adapter and one left hand threaded tube adapter. Tube adapters with a line around them signify that it is a left-hand thread.

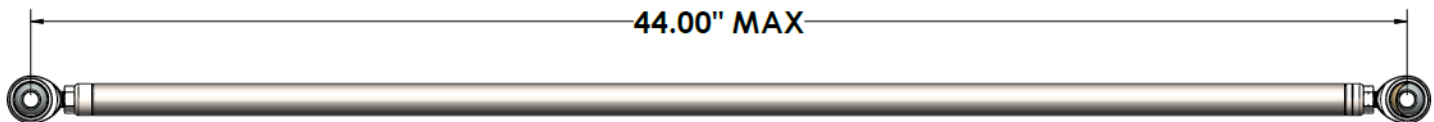


5. Fully thread one right-hand jam nut onto the right-hand threaded rod end. Do the same for the left-hand threaded rod end and its jam nut.
6. Thread the right-hand tube adapter onto the right-hand rod end leaving 3/4" of threads between the tube adapter and the head of the rod end. Do the same with the left-hand tube adapter and rod end.
7. Secure the rod ends to the clevis mounts using the included 1/2" x 2.5" hardware with two washers per connection and one nyloc nut.
8. With the axle at ride height and centered under the vehicle, measure the tube adapter flange to tube adapter flange to determine the length of the diagonal bar needed. **(Figure 3)**



NOTE:

The maximum safe length this diagonal bar can be mounted is 44”.



9. Determine the length of the tube needed. Cut to length as needed.
10. Fully weld the tube adapters into the trailing arm tube without the rod ends attached to the tube adapters as the heat may deteriorate the Teflon liner of the rod ends.
11. To ensure the same amount of thread engagement, thread the rod ends completely into the tube adapters, hold both rod ends and rotate the diagonal bar to the determined length.

READ ALL INSTRUCTIONS CAREFULLY AND THOROUGHLY PRIOR TO STARTING INSTALLATION. PRODUCTS THAT HAVE BEEN INSTALLED ARE NOT ELIGIBLE FOR RETURN. USE THE PROPER JACKING LOCATIONS. DEATH OR SERIOUS INJURY CAN RESULT IF INSTRUCTIONS ARE NOT CORRECTLY FOLLOWED. A GOOD CHASSIS MANUAL, AVAILABLE AT YOUR LOCAL PARTS STORE, MAY ALSO AID IN YOUR INSTALLATION.

• DISCLAIMER / WARRANTY •

QA1 WARRANTS THAT THE PRODUCTS WILL BE FREE FROM DEFECTS IN MATERIAL AND WORKMANSHIP FOR ONE YEAR FROM DATE OF SALE TO THE ORIGINAL PURCHASER. QA1 MAKES NO OTHER WARRANTY OF ANY KIND, EXPRESSED OR IMPLIED. QA1 SHALL HAVE NO OBLIGATION UNDER THE FOREGOING WARRANTY WHERE THE DEFECT IS THE RESULT OF IMPROPER OR ABNORMAL USE, YOUR NEGLIGENCE, VEHICLE ACCIDENT, IMPROPER OR INCORRECT INSTALLATION OR MAINTENANCE, NOR WHEN THE PRODUCT HAS BEEN REPAIRED OR ALTERED IN ANY WAY. QA1’S LIABILITY IN THE CASE OF DEFECTIVE PRODUCTS SUBJECT TO THE FOREGOING WARRANTY SHALL BE LIMITED TO THE REPAIR OR REPLACEMENT, AT QA1’S OPTION, OF THE DEFECTIVE PRODUCTS.

THE USER UNDERSTANDS AND RECOGNIZES THAT RACING PARTS, SPECIALIZED STREET ROD EQUIPMENT, AND ALL PARTS AND SERVICES SOLD BY QA1 ARE EXPOSED TO MANY AND VARIED CONDITIONS DUE TO THE MANNER IN WHICH THEY ARE INSTALLED AND USED. QA1 SHALL BEAR NO LIABILITY FOR ANY LOSS, DAMAGE OR INJURY, EITHER TO A PERSON OR TO PROPERTY, RESULTING FROM THE INSTALLATION, DIRECT OR INDIRECT USE OF ANY QA1 PRODUCTS OR INABILITY BY THE BUYER TO DETERMINE PROPER USE OR APPLICATION OF QA1 PRODUCTS. WITH THE EXCEPTION OF THE LIMITED LIABILITY WARRANTY SET FORTH ABOVE, QA1 SHALL NOT BE LIABLE FOR ANY CLAIMS, DEMANDS, INJURIES, DAMAGES, ACTIONS, OR CAUSES OF ACTION WHATSOEVER TO BUYER ARISING OUT OF OR CONNECTED WITH THE USE OF ANY QA1 PRODUCTS. MOTORSPORTS ARE DANGEROUS; AS SUCH, NO WARRANTY OR REPRESENTATION IS MADE AS TO THE PRODUCT’S ABILITY TO PROTECT THE USER FROM INJURY OR DEATH. THE USER ASSUMES THAT RISK!

DEDICATED TECH SUPPORT

QA1 is dedicated to providing quality support and instructions. We employ passionate racers and car enthusiasts that know our products and the industry to better serve you.

CHECK US OUT ON YOUTUBE!



- Frequently Asked Questions
- Quick Tips
- Install Information
- Tuning and Repair Guides
- Other Technical Information



- [linkedin.com/company/qa1](https://www.linkedin.com/company/qa1)
- [instagram.com/qa1motorsports](https://www.instagram.com/qa1motorsports)
- [facebook.com/qa1motorsports](https://www.facebook.com/qa1motorsports)

www.qa1.net/tech

[youtube.com/qa1tech](https://www.youtube.com/qa1tech)